

SPECIFICATIONS

This button is a highly vandal resistant button with essentially no moving parts. It is pressure activated, requiring less than 3 lbs push force. When the switch activates, you hear a two tone beep and the LED flashes.

Body Material: Aluminum, Powder Coated

Colors: Black, Green & Yellow

To specify color, add B for black, G for green, or Y for yellow in "X" position in part number.

Button Material: 316 Stainless Steel

Piezo Driven Solid State Switch:

Operating Force: 3 lbs. Maximum

Operating Temperature: -30°F to 140°F (-34°C to 60°C)

Operating Voltage: 15-36V DC or 12-28V AC

On Resistance, 100 Typical.

Operating Life: Greater than 100 million operations.

Switch Hold Time: 6 seconds Minimum

Operating Standby Current: 10µA typical (equivalent to 2 MΩ at 20V)

LED:

Operating Mode: Approx. 0.025 sec. flash each time button is pressed.

Luminous Intensity: Greater than 1200 mcd (ultra bright red).

Viewing Angle: 160°

Beeper:

Sounds simultaneously with LED flash.

Different tones for press and release, 2.3 KHz & 2.6 KHz.

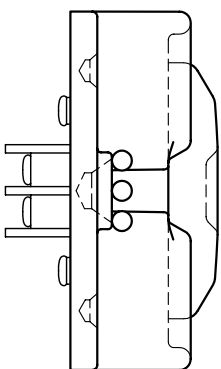
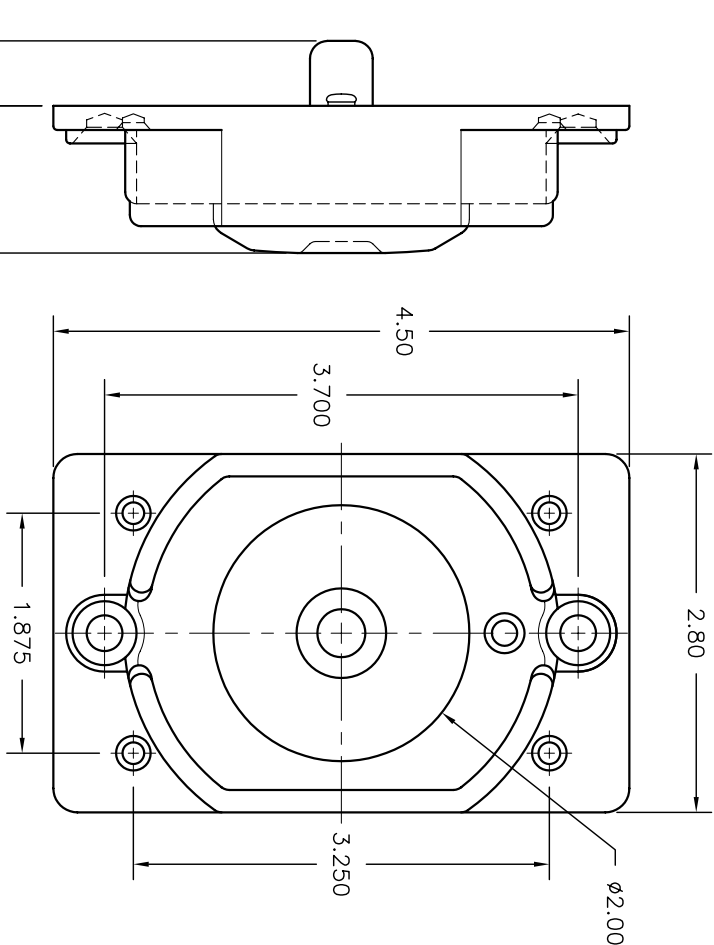
Beeper uses power from existing switch wires.

-YY: If not specified, no holes drilled

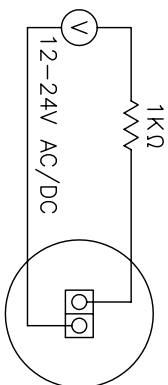
-2H comes with two center holes drilled

-4H comes with four corner holes drilled

FITS PELCO SE-2000 RECTANGULAR SERIES



Suggested Test Circuit



INFORMATION ON THIS DOCUMENT IS NOT BE TAKEN TO BE AN APPROVAL OR DISCLOSED IN WHOLE OR IN PART WITHOUT WRITTEN CONSENT OF POLARA

Revised		- 05/26/05																		
<p>POLARA ENGINEERING INC. 4115 W. ARTESIA AVE. FULLERTON, CA. 92833</p> <p>TOLERANCES: .XXX ±.005 .XX ±.02 (EXCEPT AS NOTED) SCALE 1:1.5</p> <p>DRAWN BY BB CKR. ENG. MGR. MFG. MGR. SHEET 1 OF 1</p> <p>DATE 01-20-05 DSN. ENG. Q.A. APP. FINAL APP. USE</p> <p>TITLE REES STYLE BULLDOG BUTTON DWG. NO. RBDLM2-X-YY</p> <p>WITH MOMENTARY LED</p>																				
REV. DATE	LTR	E.C.O. NO.	BY	CKR	ENG	DSN	MFG	QA	FNL											