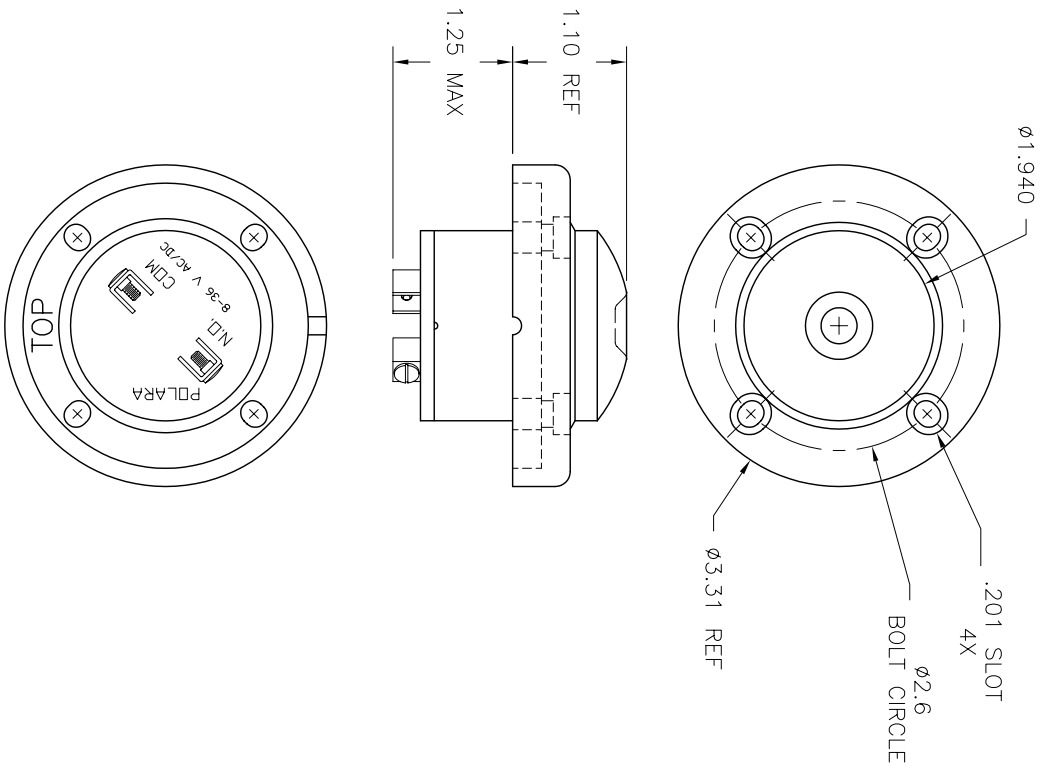


DWG. NO.
MPBP-XX



SPECIFICATIONS

Body Material: High impact thermoplastic alloy blend
 Colors: Green, Black, Silver & Yellow
 To specify color add G for green, B for black,
 S for silver or Y for yellow in "X" position in part number.
 Melt Temperature: 500°F (260°C)
 High temperature dimensional stability.
 Chemical resistance to gasoline and oils.
 Weather resistant.
 UV stable.
 High impact strength at temperatures down to -40°F (-40°C).
 Bearing Material: Black Nylon
 Maximum Temperature: 170°F (77°C)
 Maximum Intermittent Temperature: 355°F (179°C)
 Low coefficient of friction.
 Chemical resistant.
 Good abrasion resistance.
 High strength.
 Button Material: High impact thermoplastic alloy blend
 Colors: Green, Black, Silver & Yellow
 To specify color add G for green, B for black,
 S for silver or Y for yellow in "X" position in part number.
 Actuating Force: 3 ±1 lbs.
 Actuating Stroke: .25"
 Switch:
 Piezo driven solid state switch.
 Operating Temperature: -40°F to 221°F (-40°C to 105°C)
 Operating Voltage: 8-36V AC or DC
 Max Current: .3A fused (auto resetting)
 Typical Life: Greater than 20 million operations.

10-20-05	C	22294	BB									
Revised		-	10/20/05									

02-28-02	B	21827	BB	CLM	LB	WR	FB	RVC	JMC
09-13-01	A	21776	BB	CLM	LB	WR	FB	RVC	JMC
REV. DATE	LTR	E.C.O. NO.	BY	CKR	ENG	DSN	MFG	QA	FNL

POLARA ENGINEERING INC.
 4115 W. ARTESIA AVE. FULLERTON, CA. 92833
 TOLERANCES: .XXX ±.005, .XX ±.02 (EXCEPT AS NOTED)
 SCALE 1:2

DRAWN BY	BB	CKR.	CLM	ENG. MGR.	LB	MFG. MGR.	FB	SHEET	1	OF	1
DATE	08-05-99	DSN. ENG.	WR	Q.A. APP.	RVC	FINAL APP.	JMC	USE			
TITLE	MOVING PUSH BUTTON w/ PLASTIC CAP								DWG. NO.	MPBP-XX	

INFORMATION ON THIS DOCUMENT IS NOT BEING TO POLARA REPAIRED OR DISPOSED IN WHOLE OR IN PART WITHOUT WRITTEN CONSENT OF POLARA