



STROBECOM II

## DETOC1

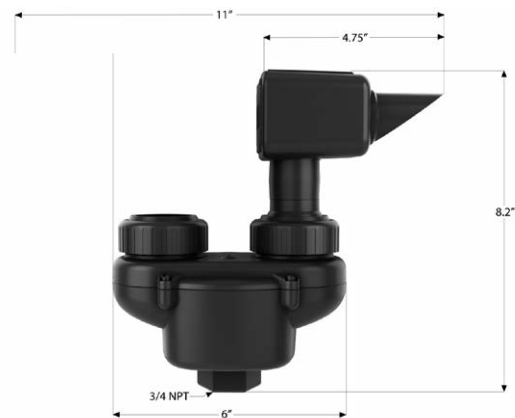
1-Head, 1- Direction, 1-Channel, Standard Detector with TOMAR OSPOC Automatic Test

TOMAR's DETOC1 Strobecom II single direction preemption detector with automatic detector test includes one detector head and one output channel.

The DETOC1 senses the optical pulses emitted by properly equipped emergency & transit vehicles. Mounted to observe an approach to an intersection, the DETOC1 is used with TOMAR OSPOCV2 Series optical signal processors to inform the traffic control system.



- Tool-less swivel of detector head makes aiming easy
- Sensor technology for sunlight rejection unmatched by any other system
- Fully encapsulated electronics for complete resistance to water, heat, and vibration
- Protected from mis-wiring and electrical transients
- Simple advance detector installation for detection around corners and over hills





**Specifications**

Item	Description
Maximum Detection Range	2500 feet minimum when used with OSPOCV2 series optical signal processor in clear atmospheric conditions
Maximum Cable Length	Up to 900 feet of TOMAR M913 preemption cable between optical signal processor and DETOC1
Field of View	13 degrees conical centered around viewport normal axis (typical)
Cable Type	TOMAR model M913 preemption detector cable 20 AWG 3-conductor shielded cable & bare
Operating Temperature	-40 to +75 degrees C
Physical Construction	The DETOC1 enclosure is black, glass filled, UV stabilized polyamide suitable for all weather use. All electronics circuitry is completely encapsulated in polyurethane for protection from shock, vibration, and moisture.
Mounting	The DETOC1 is easily mounted using standard hardware on either span wire or mast arm. The unit has a 3/4" female pipe mount hub and internal terminal block for connection to a 3/C shielded detector cable (TOMAR M913)

**Ordering Info**

Catalog Number	Description
DETOC1	One head, one direction, one channel with automatic test

**TRUE 10 YEAR WARRANTY!**

10 year warranty covers the DETOC Series and all STROBECOM II components. Unlike other manufacturers, TOMAR's ten year warranty has NO fees or charges for warranty repairs after five years.

NOTICE: The sale of these items are restricted to state and local governments and to be authorized distributors only.